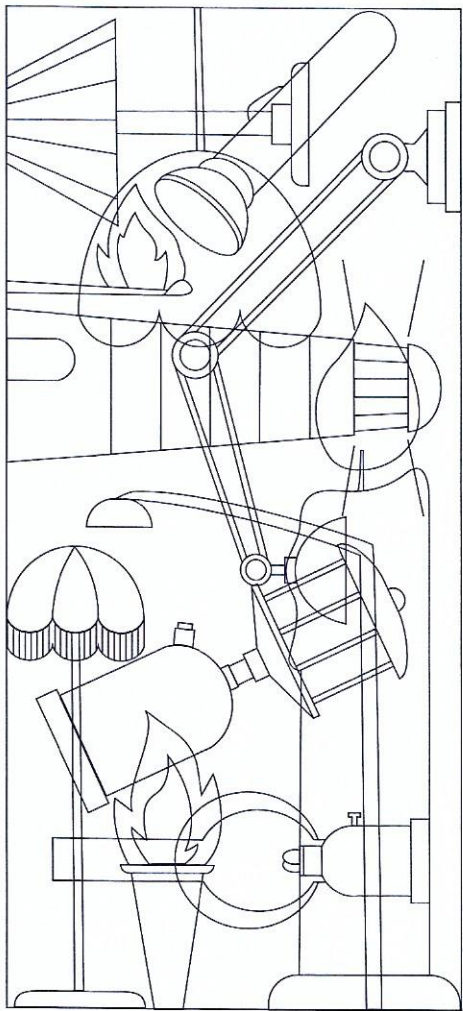


# LOOK

Sunday 2 January 2022  
John 1:1-18  
2nd Sunday  
after the Nativity

## In the GOSPEL TODAY



### Search and find!

Can you find all of these twelve types of light hidden in the picture? Use lots of bright colours to finish it.

- Table lamp, candle, ceiling light, standing lamp, trolley lamp, torch, paraffin light, fire torch, lighthouse, match, street light, angle poise lamp.

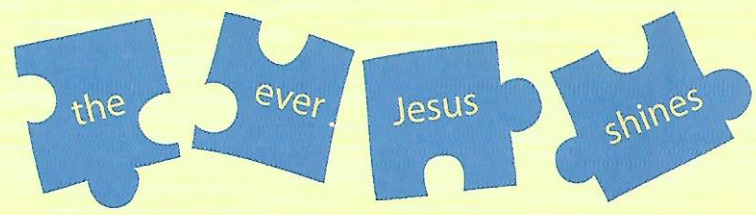
### A PRAYER TO SAY

Thank you, Jesus, for coming to live with us and for showing me how much God the Father loves me. Thank you for bringing light and love into the world. Help me to share your light and love with everyone I meet. Amen.

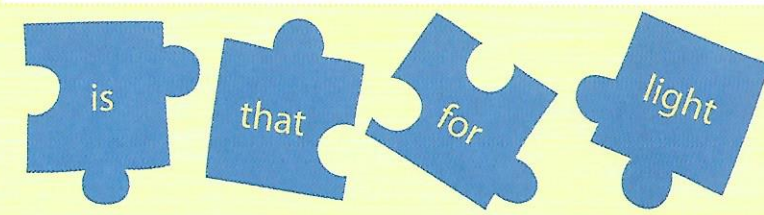
God the Son has become one of us and has come to live with us. Jesus is the light of world who gets rid of all the darkness in the world. Nothing bad will ever overpower the goodness of God. When we look at Jesus we can see just how much God the Father loves us.

### Puzzle

This little boy is trying to sort out these jigsaw pieces so he can learn what it says.



Jesus \_\_\_\_\_



### What did he do about it?

God loves us all so much that he sent his Son, \_\_\_\_\_, to bring light and love into the dark world.

I will bring light and love into the world this week when I...

### Wordsearch

Search out and find some of the ways we can shine with Jesus' light today:

- CARE LOVE
- HELP PRAY
- JOY SMILE SHARE

S	H	A	R	E
M	H	E	L	P
I	J	O	Y	R
L	V	N	K	A
E	R	A	C	Y

Answers: Jesus is the light that shines forever.